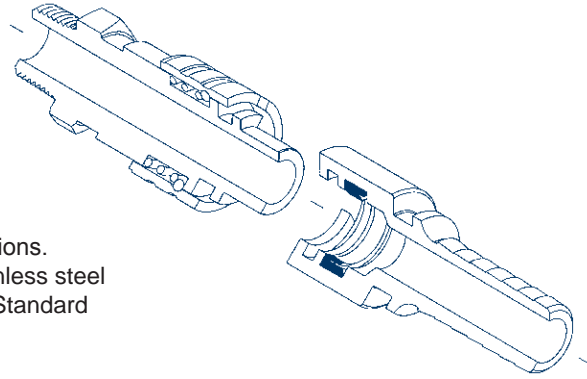


Features

- convenient Push-Twist and Click connection
- dual-guide sleeve tabs ensure smooth action
- corrosion resistant componentry improves performance
- highly versatile selection of end configurations.
- available in plated steel, brass or 303 stainless steel
- conforms to the MIL-C-3486 Interchange Standard



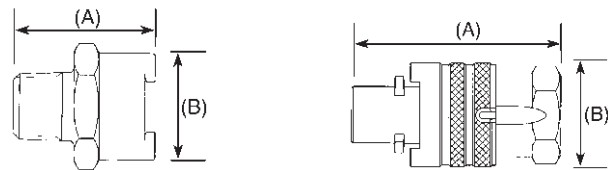
Rated Pressure Chart

Body Size	Steel Coupler/ Plug				Brass Coupler/ Plug				303 Stainless Steel Coupler/ Plug			
	Max Working		Burst		Max Working		Burst		Max Working		Burst	
	PSI	Bar	PSI	Bar	PSI	Bar	PSI	Bar	PSI	Bar	PSI	Bar
3/8"	500	35	7,000	480	-	-	-	-	-	-	-	-
1/2"	500	35	11,000	755	300	20	8,200	565	500	35	12,600	869

Material Configuration

Body Size		Structural Components	Seals	Operating Components
Couplers	Standard	Trivalent Chrome Plated Steel	Nitrile (Buna-N)	
	Optional	Brass and 303 Stainless Steel	FKM	
Nipples	Standard	Trivalent Chrome Plated Steel		Phosphor Bronze Retaining Ring and Spring
	Optional	Brass and 303 Stainless Steel		

Dimensional Specifications



	Overall Length (A)					Maximum OD (B)			
	Body Size	End Size	Female NPTF	Male NPTF	Hose Barb	Female NPTF	Male NPTF	Hose Barb	Hex Size (if applicable)
Female Head	3/8"	1/2"	-	1.88	2.41	-	1.00	1.20	1-3/16"
	1/2"	3/8"	1.63	1.77	2.98	1.54	1.54	1.33	1-3/8"
	1/2"	1/2"	1.63	1.77	3.37	1.54	1.54	1.33	1-3/8"
	1/2"	3/4"	1.63	1.77	3.37	1.54	1.54	1.33	1-3/8"
	1/2"	1"	1.62	1.84	1.73	1.73	1.73	1.33	1-1/2"
Male Head	3/8"	1/2"	-	3.60	3.73	-	1.00	1.13	1-3/16"
	1/2"	3/8"	2.73	3.65	4.36	1.40	1.40	1.40	1-1/8"
	1/2"	1/2"	2.73	3.65	4.63	1.40	1.40	1.40	1-1/8"
	1/2"	3/4"	3.34	3.74	4.77	1.58	1.40	1.40	1-3/8"
	1/2"	1"	3.37	3.78	4.77	1.73	1.54	1.40	1-1/2"



SAFETY

Dixon's couplings and retention devices are designed to work safely for their intended use. The selection of the proper hose, coupling and retention device, and the proper application of the coupling to the hose are of utmost importance.

Users must consider the size, temperature, application, media, pressure and hose and coupling manufacturer's recommendations when selecting the proper hose assembly components. Dixon recommends that all hose assemblies be tested in accordance with the Association for Rubber Products Manufacturer's (ARPM) recommendations and be inspected regularly (before each use) to ensure that they are not damaged or have become loose. Visit ARPMINC.com for more information.

Where safety devices are integral to the coupling, they must be working and utilized. The use of supplementary safety devices such as safety clips or safety cables are recommended.

If any problem is detected, couplings must be removed from service immediately.

Dixon is available to consult, train and recommend the proper selection and application of all fittings we sell. We strongly recommend that distributors and end users make use of Dixon's Testing and Recommendation Services. Call 877.963.4966 or click dixonvalve.com to learn more.

Dix-Lock Quick Acting Couplings

Features:

- takes a minimum of 5 PSI to get a positive seal
- Dix-Lock is rated to 300 PSI in brass; 500 PSI in steel and 303 stainless steel at ambient temperature (70°F)

Male Head x Hose End

Body Size	Hose Shank Size	Material	Part #	Opt Qty
3/8"	1/2"	plated steel	QM1	25
1/2"	3/8"	plated steel	QM2	25
1/2"	1/2"	plated steel	QM3	25
1/2"	3/4"	plated steel	QM4	25
1/2"	1"	plated steel	QM5	25
1/2"	3/8"	brass	QB2	25
1/2"	1/2"	brass	QB3	25
1/2"	3/4"	brass	QB4	25
1/2"	1"	brass	QB5	25
1/2"	3/4"	303 stainless	QSS4	25



Female Head x Hose End

Body Size	Hose Shank Size	Material	Part #	Opt Qty
3/8"	1/2"	plated steel	QM20	25
1/2"	3/8"	plated steel	QM21	25
1/2"	1/2"	plated steel	QM22	25
1/2"	3/4"	plated steel	QM23	25
1/2"	1"	plated steel	QM25	25
1/2"	3/8"	brass	QB21	25
1/2"	1/2"	brass	QB22	25
1/2"	3/4"	brass	QB23	25
1/2"	1"	brass	QB25	25
1/2"	3/4"	303 stainless	QSS23	25



Male Head x Male NPT End

Body Size	Male NPT	Material	Part #	Opt Qty
3/8"	1/2"	plated steel	QM40	25
1/2"	3/8"	plated steel	QM41	25
1/2"	1/2"	plated steel	QM42	25
1/2"	3/4"	plated steel	QM43	25
1/2"	1"	plated steel	QM45	25
1/2"	3/8"	brass	QB41	25
1/2"	1/2"	brass	QB42	25
1/2"	3/4"	brass	QB43	25
1/2"	1"	brass	QB45	25
1/2"	3/4"	303 stainless	QSS43	25



Female Head x Male NPT End

Body Size	Male NPT	Material	Part #	Opt Qty
3/8"	1/2"	plated steel	QM60	25
1/2"	3/8"	plated steel	QM61	25
1/2"	1/2"	plated steel	QM62	25
1/2"	3/4"	plated steel	QM63	25
1/2"	1"	plated steel	QM65	25
1/2"	3/8"	brass	QB61	25
1/2"	1/2"	brass	QB62	25
1/2"	3/4"	brass	QB63	25
1/2"	1"	brass	QB65	25
1/2"	3/4"	303 stainless	QSS63	25



Dix-Lock Quick Acting Couplings

Features:

- takes a minimum of 5 PSI to get a positive seal
- Dix-Lock is rated to 300 PSI in brass; 500 PSI in steel and 303 stainless steel at ambient temperature (70°F)

Male Head x Female NPT End



Body Size	Female NPT	Material	Part #	Opt Qty
1/2"	3/8"	plated steel	QM81	25
1/2"	1/2"	plated steel	QM82	25
1/2"	3/4"	plated steel	QM83	25
1/2"	1"	plated steel	QM85	25
1/2"	3/8"	brass	QB81	25
1/2"	1/2"	brass	QB82	25
1/2"	3/4"	brass	QB83	25
1/2"	1"	brass	QB85	25
1/2"	3/4"	303 stainless	QSS83	25

Female Head x Female NPT End



Body Size	Female NPT	Material	Part #	Opt Qty
1/2"	3/8"	plated steel	QM101	25
1/2"	1/2"	plated steel	QM102	25
1/2"	3/4"	plated steel	QM103	25
1/2"	1"	plated steel	QM105	25
1/2"	3/8"	brass	QB101	25
1/2"	1/2"	brass	QB102	25
1/2"	3/4"	brass	QB103	25
1/2"	1"	brass	QB105	25
1/2"	3/4"	303 stainless	QSS103	25

Feature:

- positive safety lock; with locking nut in place sleeve cannot be moved to open coupling

Male Locking Head x Hose Shank



Body Size	Hose Shank Size	Material	Part #	Opt Qty
1/2"	1/2"	plated steel	QM33	25
1/2"	3/4"	plated steel	QM44	25
1/2"	1/2"	brass	QB33	25
1/2"	3/4"	brass	QB44	25

Male Locking Head x Male NPT



Body Size	Male NPT	Material	Part #	Opt Qty
1/2"	1/2"	plated steel	QM66	25
1/2"	3/4"	plated steel	QM88	25
1/2"	1/2"	brass	QB66	25
1/2"	3/4"	brass	QB88	25

POSITIVE SAFETY LOCK

With locking nut in place sleeve cannot be moved to open coupling.



Not for use with "Air King" or "Boss" clamps.

Dix-Lock Quick-Acting Couplings with Ferrules

Features:

- Dix-Lock Quick-acting Couplings with ferrules can be crimped or swaged-on
- rated to 300 PSI working pressure at ambient temperature (70°F)
- plated steel ferrule
- also available in stainless steel, contact Dixon for further information
- for crimp or swage diameter recommendations see page 6

Female Head

Body Size	Hose ID	Hose OD		Material	Part #
		From:	To:		
1/2"	1/2"	27/32"	1-1/32"	plated steel	QM22WF
1/2"	3/4"	1-5/32"	1-11/32"	plated steel	QM23WF
1/2"	1/2"	27/32"	1-1/32"	brass	QB22WF
1/2"	3/4"	1-5/32"	1-11/32"	brass	QB23WF



Male Head

Body Size	Hose ID	Hose OD		Material	Part #
		From:	To:		
1/2"	1/2"	27/32"	1-1/32"	plated steel	QM3WF
1/2"	3/4"	1-5/32"	1-11/32"	plated steel	QM4WF
1/2"	1/2"	27/32"	1-1/32"	brass	QB3WF
1/2"	3/4"	1-5/32"	1-11/32"	brass	QB4WF



Male Locking Head

Body Size	Hose ID	Hose OD		Material	Part #
		From:	To:		
1/2"	1/2"	27/32"	1-1/32"	plated steel	QM33WF
1/2"	3/4"	1-5/32"	1-11/32"	plated steel	QM44WF
1/2"	1/2"	27/32"	1-1/32"	brass	QB33WF
1/2"	3/4"	1-5/32"	1-11/32"	brass	QB44WF



- 3/8" and 1" Dix-lock with ferrules are available upon request

Dix-Lock Converter

Body Size	Plated Steel		Opt Qty
	Part #		
1/2"	QMO		25



Dix-Lock Caps

Body Size	Brass		Opt Qty	Plated Steel		Opt Qty
	Part #			Part #		
1/2"	QBCAP		25	QMCAP		25




Dix-Lock Gaskets

Body Size	Buna-N	
	Part #	
3/8"	QBM1	
1/2"	QBM2	



King Safety Cables

 When hose, couplings or clamps fail, or there is an accidental separation of the assembly, King Safety Cables minimize damage to equipment and injuries to operators. KING SAFETY CABLE reaches across the hose fittings to provide standby safety for hose. Spring-loaded loops in the cable ends open easily to pass over the couplings for a firm grip on the hose. Thoroughly tested with years of service. A positive safeguard for air hose connections - helps you meet today's safety standards. **KING SAFETY CABLE must be installed in the extended position (no slack).**

Features:

- cable reaches across hose fittings to provide standby safety for hose
- spring loaded loops in the cable ends open easily to pass over the couplings for a firm grip on the hose
- highly resistant to rust and corrosion
- no tools needed - easy to install and remove
- cables shipped with safety restraint labels attached
- low cost answer to eliminating injuries caused by broken air hose connections
- hose-to-hose or hose-to-rigid outlet
- King Cable is the low cost answer to eliminate injuries caused by broken air hose connections
- maximum operating pressure: 200 PSI



Hose End

Tool End

Style WSR, for hose-to-tool service

Cable	Part #	Hose I.D.	Length	Max. Working Pressure (PSI)
1/8"	WSR1	1/2" - 1/4"	20 1/4"	200
3/16"	WSR3	1/2" - 2"	28"	200
1/4"	WSR2	1 1/2" - 3"	38"	200
3/8"	WSR4	4"	44"	200



Hose End

Hose End

Style W, for hose-to-hose service

Cable	Part #	Hose I.D.	Length	Max. Working Pressure (PSI)
1/8"	WB1	1/2" - 1/4"	20 1/4"	200
3/16"	WB3	1/2" - 2"	28"	200
1/4"	WA2	1 1/2" - 3"	38"	200
3/8"	WA4	4"	44"	200

Other cable options are available.

Reference OSHA regulations standards - 29 CFR, 1915.131, 1926.302, and 1926.603

The Importance of Whip Hose

The constant vibration created by air tools, like air drills and pavement breakers, is destructive to air hose couplings, especially the quick-acting type. To provide a safer working environment, connect one end of a 3' to 10' length of air hose to the tool using Dixon's "No. 3500" Steel Nipple. This nipple is designed to specifically handle vibration applications. Connect the other end of hose to the air supply using the standard quick-acting coupling. The "Whip Hose" should remain permanently connected to the tool.

Crimped Dix-Lock Recommendation Guide

The chart at the right is only a guide. It will not apply to every coupling situation. In some instances alternative dies and crimping dimensions must be employed to ensure safety. Experience has shown that variances in the construction of similar hoses and couplings may cause some assemblies to react differently when crimped. It is not uncommon to find hose with an outer diameter that fluctuates from one end to the other or from production lot to production lot. These inconsistencies coupled with the inherent differences between textile or wire braid, hard or soft wall, the presence or absence of an internal spiral wire and the differences in hose coverings make it difficult to establish hard and fast rules. Therefore, it's imperative that hose dimensions are accurately measured, assemblies are tested, and documentation is maintained.

Hose ID	Hose OD		Crimp Diameter (± 0.005)	Crimp Length	% Reduction
	Fractional	Decimal			
1/2"	54/64	0.844	0.917	1-1/8	18.9
	55/64	0.859	0.929	1-1/8	18.9
	56/64	0.875	0.942	1-1/8	18.9
	57/67	0.891	0.954	1-1/8	19.0
	58/64	0.906	0.967	1-1/8	19.0
	59/64	0.922	0.980	1-1/8	19.0
	60/64	0.938	0.992	1-1/8	19.0
	61/64	0.953	1.005	1-1/8	19.0
	62/64	0.969	1.018	1-1/8	19.0
	63/64	0.984	1.030	1-1/8	19.0
	1	1.000	1.043	1-1/8	19.0
	1-1/64	1.016	1.056	1-1/8	19.0
	1-2/64	1.031	1.068	1-1/8	19.0

Hose ID	Hose OD		Crimp Diameter (± 0.005)	Crimp Length	% Reduction
	Fractional	Decimal			
3/4"	1-10/64	1.156	1.220	1-1/4	18.5
	1-11/64	1.171	1.235	1-1/4	18.0
	1-12/64	1.187	1.245	1-1/4	18.7
	1-13/64	1.203	1.260	1-1/4	18.1
	1-14/64	1.218	1.270	1-1/4	18.8
	1-15/64	1.234	1.285	1-1/4	18.2
	1-16/64	1.250	1.295	1-1/4	18.8
	1-17/64	1.265	1.310	1-1/4	18.4
	1-18/64	1.281	1.320	1-1/4	18.8
	1-19/64	1.296	1.335	1-1/4	18.5
	1-20/64	1.312	1.345	1-1/4	19.0
	1-21/64	1.328	1.360	1-1/4	18.5
	1-22/64	1.343	1.370	1-1/4	19.0

Dix-Lock Interchange Guide

Size	Material	Dixon Part #	DQC Part #	Bowes Part #	National Part #
3/8"	steel	QM2	N4S3	51522	BMH6
	brass	QB2	N4S3-B	51462	B-BMH6
1/2"	steel	QM1	N3CS4	50-S-HM4	N/A
	steel	QM3	N4S4	51424	BMH8
	brass	QB3	N4S4-B	51464	B-BMH8
3/4"	steel	QM4	N4S6	51526	BMH12
	brass	QB4	N4S6-B	51466	B-BMH12
	303 stainless	QSS4	N4S6-S	N/A	N/A
1"	steel	QM5	N4S8	N/A	N/A
	brass	QB5	N4S8-B	N/A	N/A



Male Head x Hose End

Size	Material	Dixon Part #	DQC Part #	Bowes Part #	National Part #
3/8"	steel	QM21	4NS3	51532	BFH6
	brass	QB21	4NS3-B	51472	B-BFH6
1/2"	steel	QM20	3NCS4	50-S-HF4	N/A
	steel	QM22	4NS4	51534	BFH8
	brass	QB22	4NS4-B	51474	B-BFH8
3/4"	steel	QM23	4NS6	51536	BFH12
	brass	QB23	4NS6-B	51476	B-BFH12
	303 stainless	QSS23	4NS6-S	N/A	N/A
1"	steel	QM25	4NS8	N/A	N/A
	brass	QB25	4NS8-B	N/A	N/A



Female Head x Hose End

Size	Material	Dixon Part #	DQC Part #	Bowes Part #	National Part #
3/8"	steel	QM41	N4M3	51542	BMM6
	brass	QB41	N4M3-B	51482	B-BMM6
1/2"	steel	QM40	N3M4	50-S-OM4	N/A
	steel	QM42	N4M4	51544	BMM8
	brass	QB42	N4M4-B	51484	B-BMM8
3/4"	steel	QM43	N4M6	51546	BMM12
	brass	QB43	N4M6-B	51486	B-BMM12
	303 stainless	QSS43	N4M6-S	N/A	N/A
1"	steel	QM45	N4M8	N/A	N/A
	brass	QB45	N4M8-B	N/A	N/A



Male Head x Male NPT End

Size	Material	Dixon Part #	DQC Part #	Bowes Part #	National Part #
3/8"	steel	QM61	4NM3	51552	BFM6
	brass	QB61	4NM3-B	51492	B-BFM6
1/2"	steel	QM60	3NM4	50-S-OF4	N/A
	steel	QM62	4NM4	51554	BFM8
	brass	QB62	4NM4-B	51494	B-BFM8
3/4"	steel	QM63	4NM6	51556	BFM12
	brass	QB63	4NM6-B	51496	B-BFM12
	303 stainless	QSS63	4NM6-S	N/A	N/A
1"	steel	QM65	4NM8	N/A	N/A
	brass	QB65	4NM8-B	N/A	N/A



Female Head x Male NPT End

Size	Material	Dixon Part #	DQC Part #	Bowes Part #	National Part #
3/8"	steel	QM81	N4F3	51562	BMF6
	brass	QB81	N4F3-B	51502	B-BMF6
1/2"	steel	QM82	N4F4	51564	BMF8
	brass	QB82	N4F4-B	51504	B-BMF8
3/4"	steel	QM83	N4F6	51566	BMF12
	brass	QB83	N4F6-B	51506	B-BMF12
	303 stainless	QSS83	N4F6-S	N/A	N/A
1"	steel	QM85	N4F8	N/A	N/A
	brass	QB85	N4F8-B	N/A	N/A



Male Head x Female NPT End

Dix-Lock Interchange Guide

Size	Material	Dixon Part #	DQC Part #	Bowes Part #	National Part #
3/8"	steel	QM101	4NF3	51572	BFF6
	brass	QB101	4NF3-B	51512	B-BFF6
1/2"	steel	QM102	4NF4	51574	BFF8
	brass	QB102	4NF4-B	51514	B-BFF8
3/4"	steel	QM103	4NF6	51576	BFF12
	brass	QB103	4NF6-B	51516	B-BFF12
	303 stainless	QSS103	4NF6-S		
1"	steel	QM105	4NF8		
	brass	QB105	4NF8-B		



**Female Head x
Female NPT End**

Size	Material	Dixon Part #	DQC Part #	Bowes Part #	National Part #
1/2"	steel	QM33	N4S4-LS	51524-1	BMH8-LN
	brass	QB33	N4S4-B-LS	51464-1	B-BMH8-LN
3/4"	steel	QM44	N4S6-LS	51526-1	BMH12-LN
	brass	QB44	N4S6-B-LS	51466-1	B-BMH12-LN



**Male Locking Head x
Hose Shank**

Size	Material	Dixon Part #	DQC Part #	Bowes Part #	National Part #
1/2"	steel	QM66	N4M4-LS	51544-1	BMM8-LN
	brass	QB66	N4M4-B-LS	51484-1	B-BMM8-LN
3/4"	steel	QM88	N4M6-LS	51546-1	BMM12-LN
	brass	QB88	N4M6-B-LS	51486-1	B-BMM12-LN



**Male Locking Head x
Male NPT**

Dixon, founded in 1916, is a premier manufacturer and supplier of hose couplings, valves, dry-disconnects, swivels, and other fluid transfer and control products. The company's global reach includes a wide range of products for numerous industries including petroleum exploration, refining, transportation, chemical processing, food & beverage, steel, fire protection, construction, mining and manufacturing. Dixon's strategic objective is to create solutions that make products safer, leak-free, longer lasting, and always available.

dixonvalve.com • *Customer Service:* 877.963.4966



The Right Connection®

Dixon Valve

800 High Street, Chestertown, MD 21620

ph: 877.963.4966

fx: 800.283.4966



Dixon Customer Service



Facebook Page



YouTube Videos

